



ECONOMY LINE MODEL J

COOL

INCLUDING

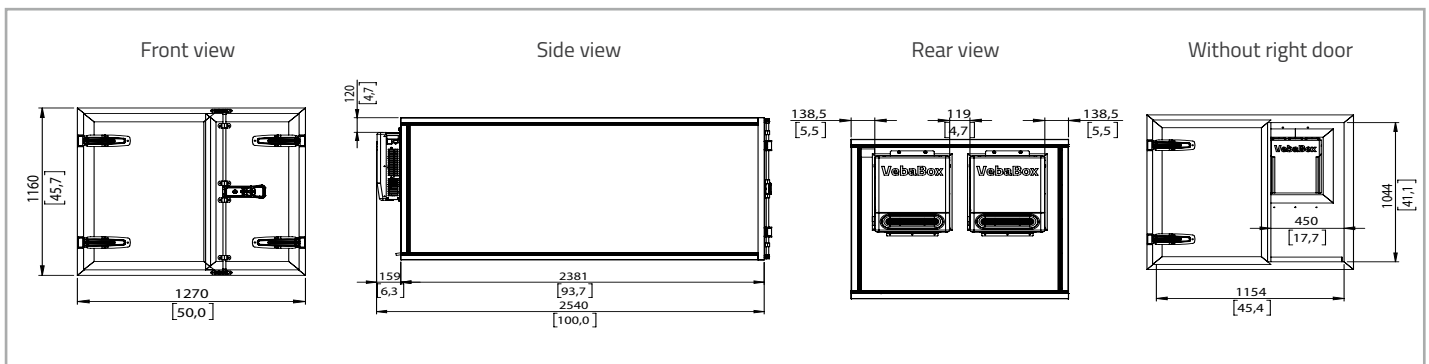
- ❁ 110/230V shore power connection
- ❁ Installation set
- ❁ 12V power cable
- ❁ 110V/230V cable
- ❁ Manuals

OPTIONS

- ❁ Cooling/heating when the engine is not running
- ❁ Palletframe
- ❁ Shelves
- ❁ Crate guidance
- ❁ Handles
- ❁ Tearplate (inside/outside)

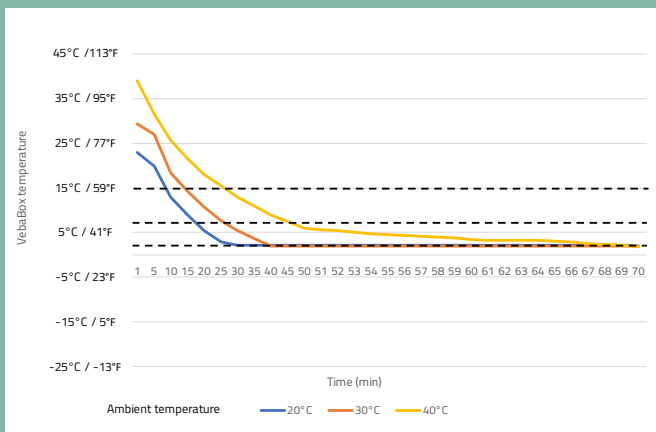
Box volume	2700 liter / 95 ft ³
External dimensions (wxhxd)	1270 x 1160 x 2540 mm / 50,0 x 45,7 x 100,0 inch
Inside dimensions (wxhxd)	1164 x 1054 x 2164 mm / 45,8 x 41,5 x 85,2 inch
Nett. Weight	164 kg / 362 lb
Temperature setting	2°C to 25°C / 35,6°F to 77°F
Ambient temperature	-20°C en +50°C / -4°F and +122°F
Automatic cooling / heating	Yes
Power source, max. current @ 12V	50 A @ 12V
Power source, max. current @ 110~230V AC (50/60Hz)	3.6 A @ 230V or 7.2 A @ 110V
Wall thickness	53 mm / 2,1 inch

DIMENSIONS IN MM/IN



COOLING AND HEATING PERFORMANCES

Cooling performance at different ambient temperatures >20°C / 68°F Model J Cool



Heating performance at ambient temperature -20°C / -4°F Model J Cool

