



## ECONOMY LINE MODEL R

# COOL

### INCLUDING

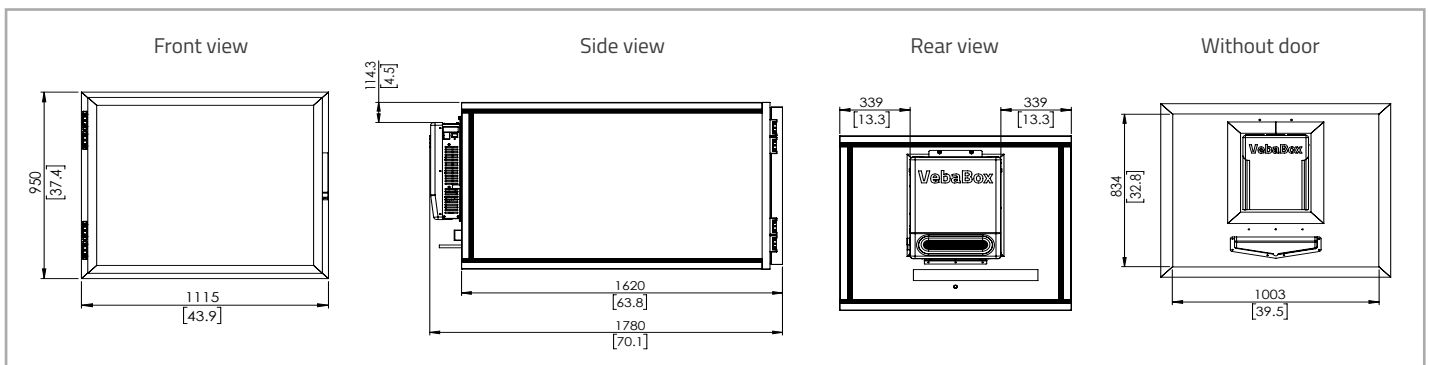
- ❁ 110/230V shore power connection
- ❁ Installation set
- ❁ 12V power cable
- ❁ 110V/230V cable
- ❁ Manuals

### OPTIONS

- ❁ Cooling/heating when the engine is not running
- ❁ Palletframe
- ❁ Shelves
- ❁ Crate guidance
- ❁ Handles
- ❁ Tearplate (inside/outside)

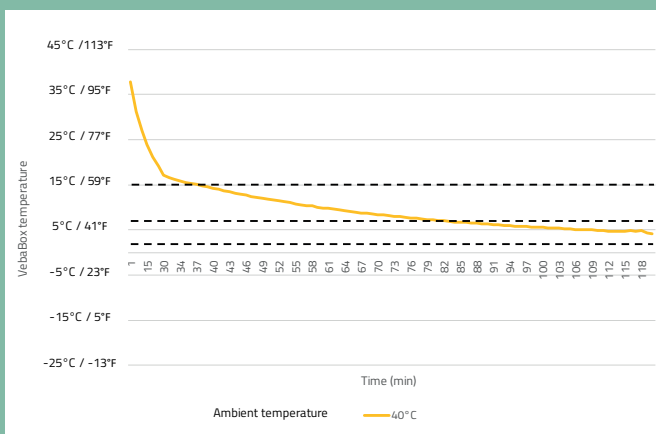
Box volume	4860 liter / 172 ft <sup>3</sup>
External dimensions (wxhxd)	1330 x 1770 x 2700 mm / 52,4 x 66,9 x 106,3 inch
Inside dimensions (wxhxd)	1224 x 1594 x 2597 mm / 48,1 x 62,8 x 102,2 inch
Nett. Weight	220 kg / 485 lb
Temperature setting	2°C to 25°C / 35,6°F to 77°F
Ambient temperature	-20°C en +40°C / -4°F and +104°F
Automatic cooling / heating	Yes
Power source, max. current @ 12V	50 A @ 12V
Power source, max. current @ 110~230V AC (50/60Hz)	3.6 A @ 230V or 7.2 A @ 110V
Wall thickness	53 mm / 2,1 inch

### DIMENSIONS IN MM/IN



### COOLING AND HEATING PERFORMANCES

Cooling performance at ambient temperature >20°C / 68°F Model R



Heating performance at ambient temperature <0°C / 32°F Model R

